



VERRO SERIES: VIB-900

Infill Bench 900mm

Project: _____ Item: _____

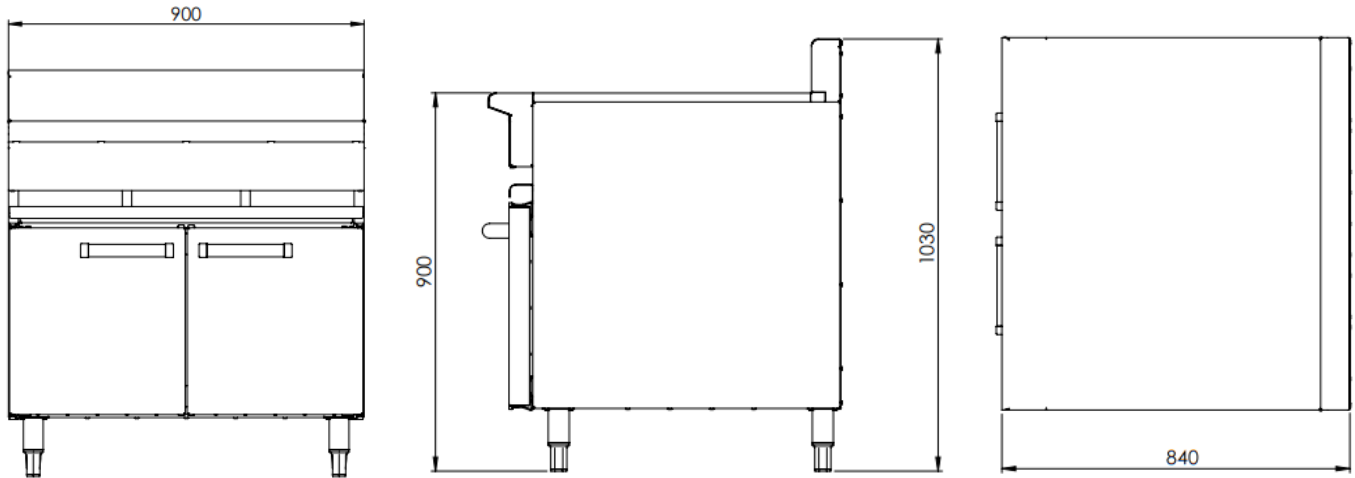


VIB-900

Standard Features:

- AISI Grade Stainless Steel
- Heavy duty complete stainless steel cabinet frame
- Heavy duty top bench surface – 1.5mm Thick

Specifications:



MODEL	LENGTH (mm)	DEPTH (mm)	HEIGHT (mm)	NET WEIGHT (kg)
VIB-900	900	840	1030	-

Due to ongoing Product Development, Product Improvement and Research, B+S Commercial Kitchens reserves the right to alter specification without notice.

