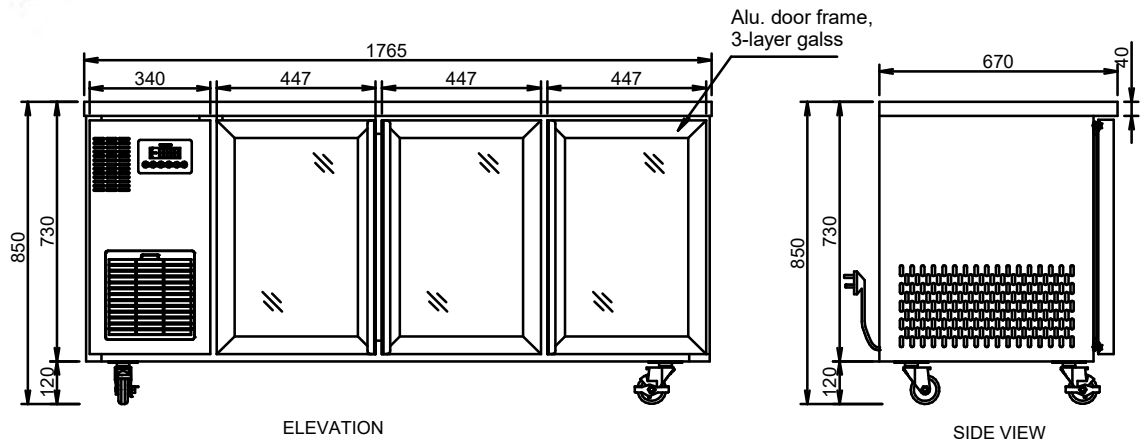
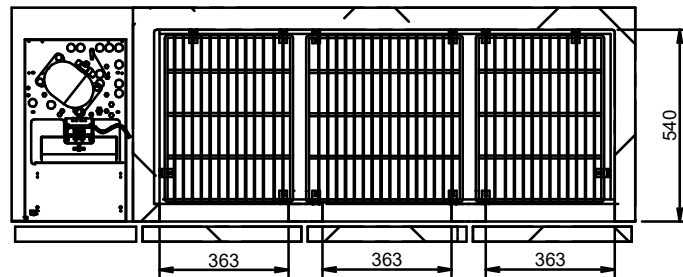
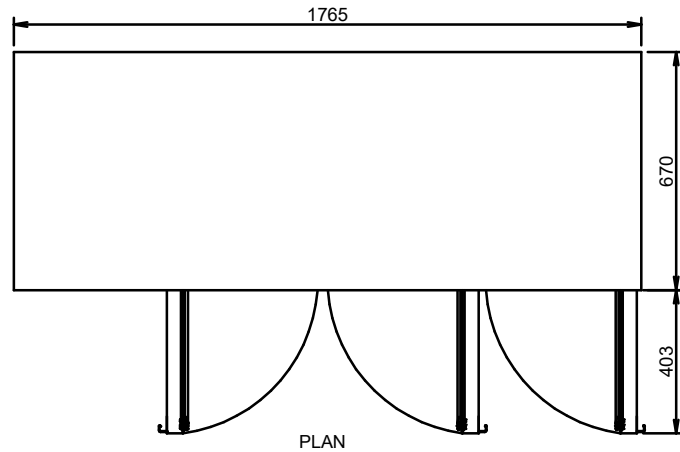


HTU3GS



| | |
|----------|--------------------------------|
| CATEGORY | TOPAZ |
| RANGE | Topaz Under Counter |
| UNIT | REFRIGERATOR |
| TYPE | SELF CONTAINED |
| DOORS | 3 |



SPECIFICATIONS

| | |
|---|------------------------|
| CAPACITY LITRES | 325 |
| TEMPERATURE | 1°C / 4°C |
| DIMENSIONS - W X D X H (ON 120 MM H CASTORS) MM | 1765 W x 670 D x 850 H |
| WEIGHT UNPACKED (KG) | 137 |
| STANDARD INCLUSIONS | |
| DOOR TYPE/SPLIT | G (Glass Door) |
| FINISH (INTERIOR AND EXTERIOR EXCLUDING REAR AND UNDER) | S (Stainless Steel) |
| SHELVES/DOOR (ADJUSTABLE STRIPS AND CLIPS) | 2 |
| GAS TYPE | |
| REFRIGERANT | R134a |

ELECTRICAL

| | |
|-----------------------------|--------|
| POWER SUPPLY | 10 amp |
| POWER CABLE LENGTH (METRES) | 2 |
| RUNNING AMPS | 2.5 |
| PERFORMANCE | |
| KWH/24H READING | 5.02 |
| TEST CONDITIONS | M1 |
| AMBIENT RATING | 38°C |