

HTU3SS



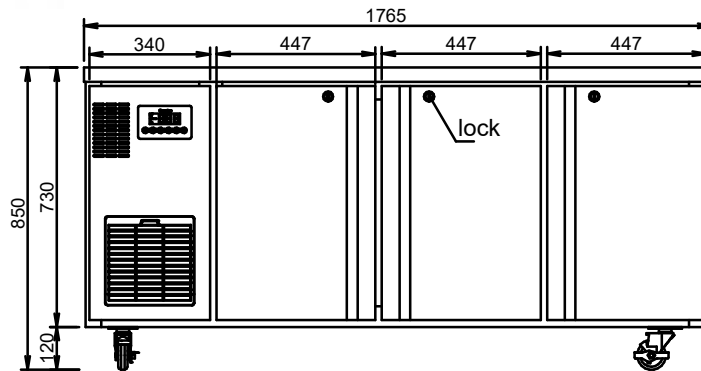
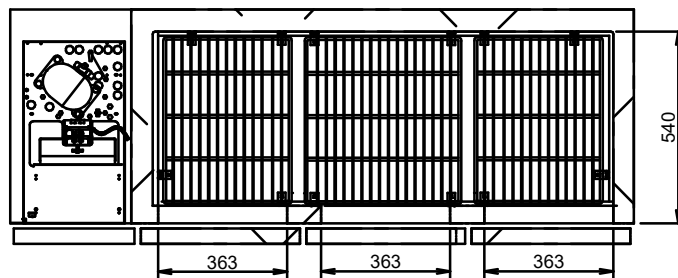
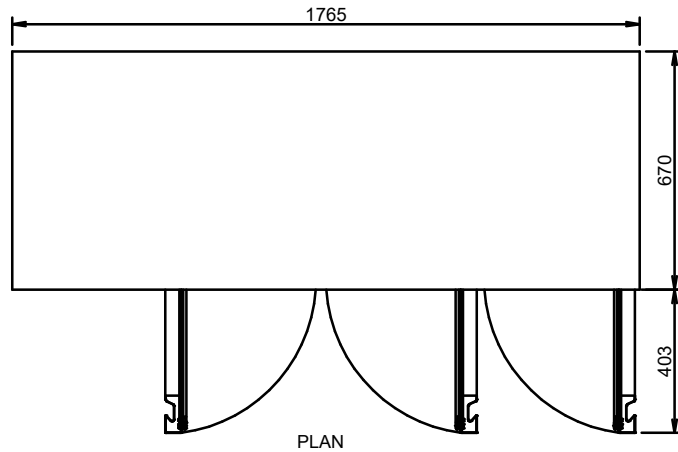
CATEGORY TOPAZ

RANGE **Topaz Under Counter**

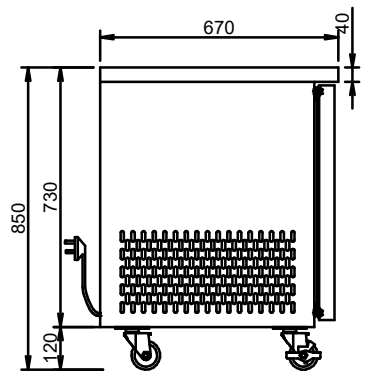
UNIT REFRIGERATOR

TYPE SELF CONTAINED

DOORS 3



ELEVATION



SIDE VIEW

SPECIFICATIONS

CAPACITY LITRES	325
TEMPERATURE	1°C / 4°C
DIMENSIONS - W X D X H (ON 120 MM H CASTORS) MM	1765 W x 670 D x 850 H
WEIGHT UNPACKED (KG)	137
STANDARD INCLUSIONS	
DOOR TYPE/SPLIT	S (Solid Door)
FINISH (INTERIOR AND EXTERIOR EXCLUDING REAR AND UNDER)	S (Stainless Steel)
SHELVES/DOOR (ADJUSTABLE STRIPS AND CLIPS)	2
GAS TYPE	
REFRIGERANT	R134a

ELECTRICAL

POWER SUPPLY	10 amp
POWER CABLE LENGTH (METRES)	2
RUNNING AMPS	2.6
PERFORMANCE	
KWH/24H READING	6.1
TEST CONDITIONS	M1
AMBIENT RATING	38°C