

LTU2SS



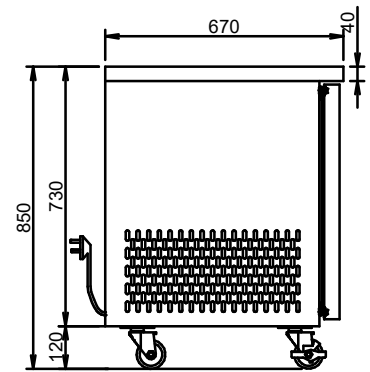
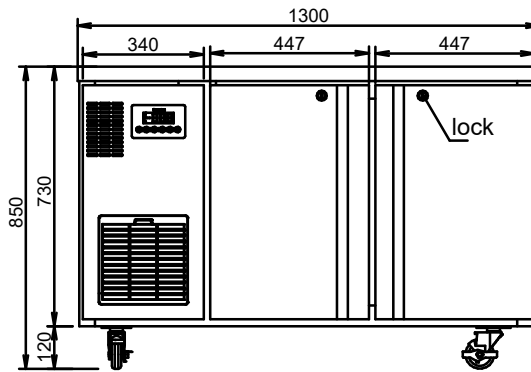
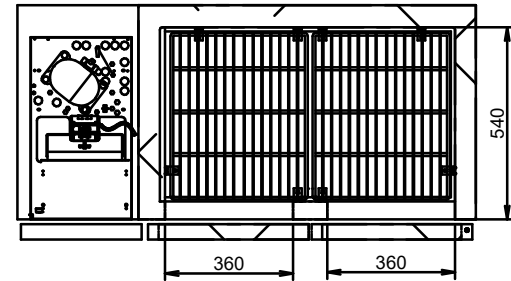
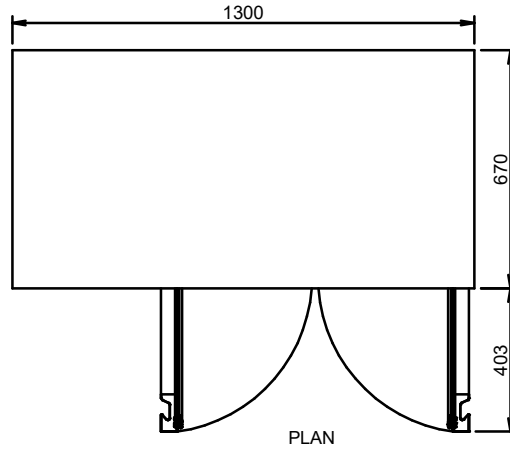
CATEGORY TOPAZ

RANGE **Topaz Under Counter**

UNIT FREEZER

TYPE SELF CONTAINED

DOORS 2



SPECIFICATIONS

CAPACITY LITRES	210
TEMPERATURE	-18°C / -22°C
DIMENSIONS - W X D X H (ON 120 MM H CASTORS) MM	1300 W x 670 D x 850 H
WEIGHT UNPACKED (KG)	90
STANDARD INCLUSIONS	
DOOR TYPE/SPLIT	S (Solid Door)
FINISH (INTERIOR AND EXTERIOR EXCLUDING REAR AND UNDER)	S (Stainless Steel)
SHELVES/DOOR (ADJUSTABLE STRIPS AND CLIPS)	2
GAS TYPE	
REFRIGERANT	R404a

ELECTRICAL

POWER SUPPLY	10 amp
POWER CABLE LENGTH (METRES)	2
RUNNING AMPS	2.1
PERFORMANCE	
KWH/24H READING	8.07
TEST CONDITIONS	L1
AMBIENT RATING	38°C