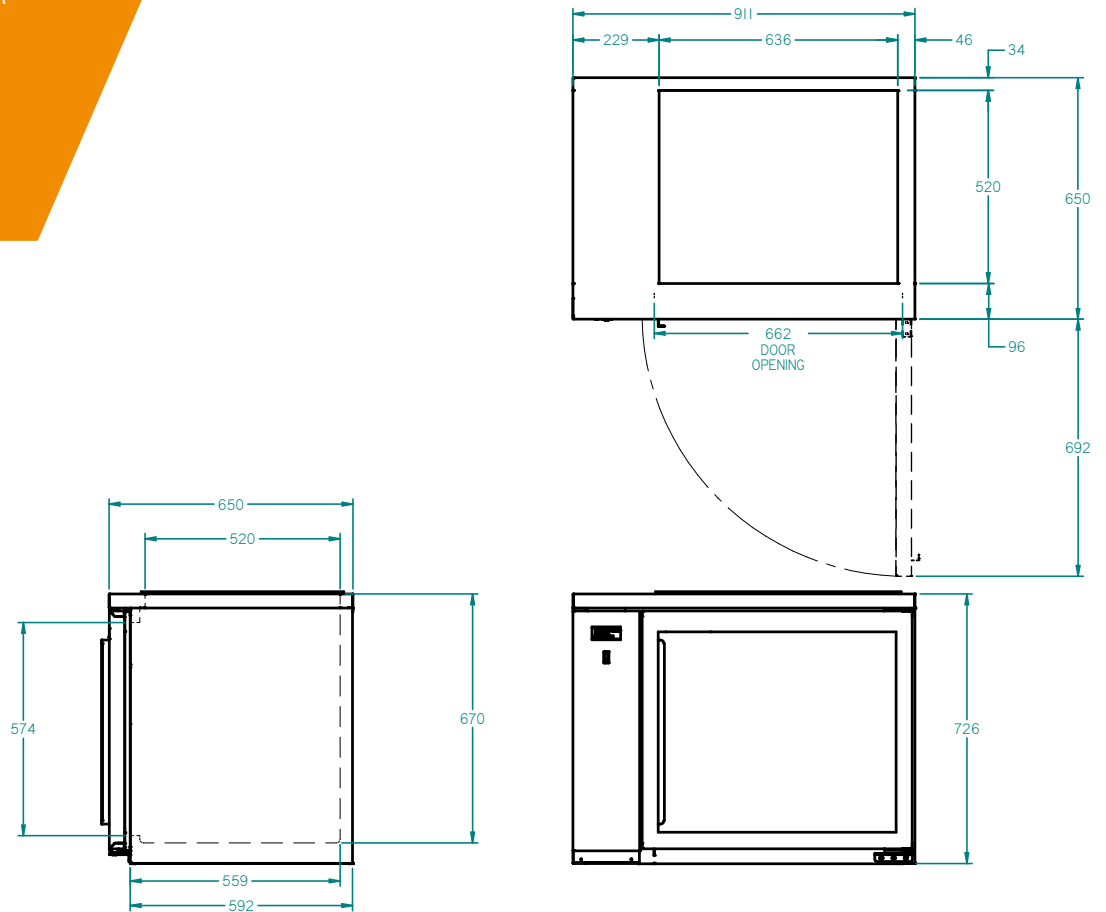


# GC15RGD



CATEGORY	GENERAL COUNTERS & BACK BARS
RANGE	<b>Glass Chiller</b>
UNIT	REFRIGERATOR
TYPE	REMOTE
DOORS	1



## SPECIFICATIONS

**CAPACITY - BASKETS/DOOR (NOT INCLUDED)(500 X 500 BASKET) (BASED ON 150MM H GLASSES)**

3 Baskets

**TEMPERATURE**

1°C / 4°C

**SHELF LOAD**

YES

**DIMENSIONS - W X D X H (ON 150MM H LEGS) MM**

911 W x 649 D x 875 H

**WEIGHT UNPACKED (KG)**

60

## STANDARD INCLUSIONS \*\*\*

**DOOR TYPE**

Standard: GD (Glass Door)

**FINISH (INTERIOR AND EXTERIOR EXCLUDING REAR AND UNDER)**

SS (Stainless Steel)

**SHELVES/DOOR - SHELF LOAD MODEL ONLY**

2

## ELECTRICAL

**POWER SUPPLY**

10 amp

**POWER CABLE LENGTH (METRES)**

2

**RUNNING AMPS**

0.4

## GAS TYPE

**REFRIGERANT**

R404a

## REFRIGERATION WATTAGES FOR REMOTE UNITS

**REMOTE WATTAGES**

570 @ -5° C SST

\*\*\* For **OPTIONS** refer to the current Williams Price Guide