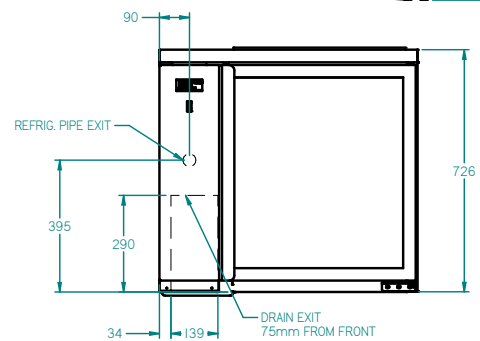
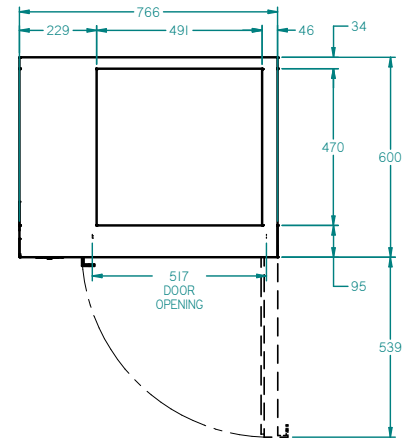
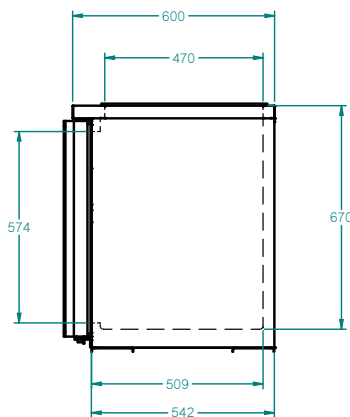


GC1RGDSL



CATEGORY	GENERAL COUNTERS & BACK BARS
RANGE	Glass chiller
UNIT	REFRIGERATOR
TYPE	REMOTE
DOORS	1



SPECIFICATIONS

CAPACITY - BASKETS/DOOR (NOT INCLUDED) (BASED ON 150MM H GLASSES)	3 Baskets
TEMPERATURE	1°C / 4°C
SPRING LOAD	YES
DIMENSIONS - W X D X H (ON 150MM H LEGS) MM	766 W x 600 D x 875 H
WEIGHT UNPACKED (KG)	60
STANDARD INCLUSIONS ***	
DOOR TYPE	Standard: GD (Glass Door)
FINISH (INTERIOR AND EXTERIOR EXCLUDING REAR AND UNDER)	SS (Stainless Steel)
SPRING LOADING CAGE	1
ELECTRICAL	
POWER SUPPLY	10 amp
POWER CABLE LENGTH (METRES)	2
RUNNING AMPS	0.4
GAS TYPE	
REFRIGERANT	R404a
REFRIGERATION WATTAGES FOR REMOTE UNITS	
REMOTE WATTAGES	570 @ -5° C SST

*** For **OPTIONS** refer to the current Williams Price Guide