

Counter Top Cake Display Refrigerators

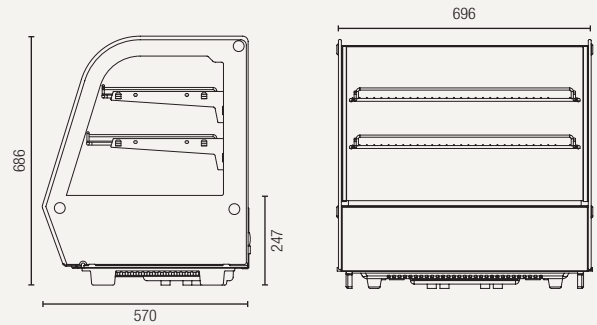
Features:

- Digital temperature display and electronic controller
- Dynamic fan forced cooling system
- Sliding door for easy access
- Frequency/voltage: 50Hz/220-240 V

- Shelf material: chrome coated steel
- Top LED internal light
- Refrigerant: R600a
- Ambient temperatures from +16°C to +32°C



CTC120



Gross volume: 120 L

Exterior dimensions in mm: 710w x 575d x 686h

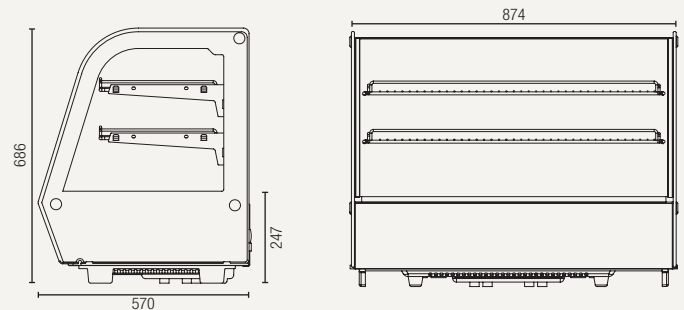
Number of adjustable shelves: 2

Temperature set range: 0°C to +12°C

Gross/net weight: 66/64 kg

Energy consumption in 24h: 2.75 kWh

CTC160



Gross volume: 160 L

Exterior dimensions in mm: 890w x 575d x 686h

Number of adjustable shelves: 2

Temperature set range: 0°C to +12°C

Gross/net weight: 74/71 kg

Energy consumption in 24h: 2.85 kWh