



# B+S BLACK SERIES: TT-9

## 900mm Target Top on Stand

Project: \_\_\_\_\_ Item: \_\_\_\_\_



TT-9

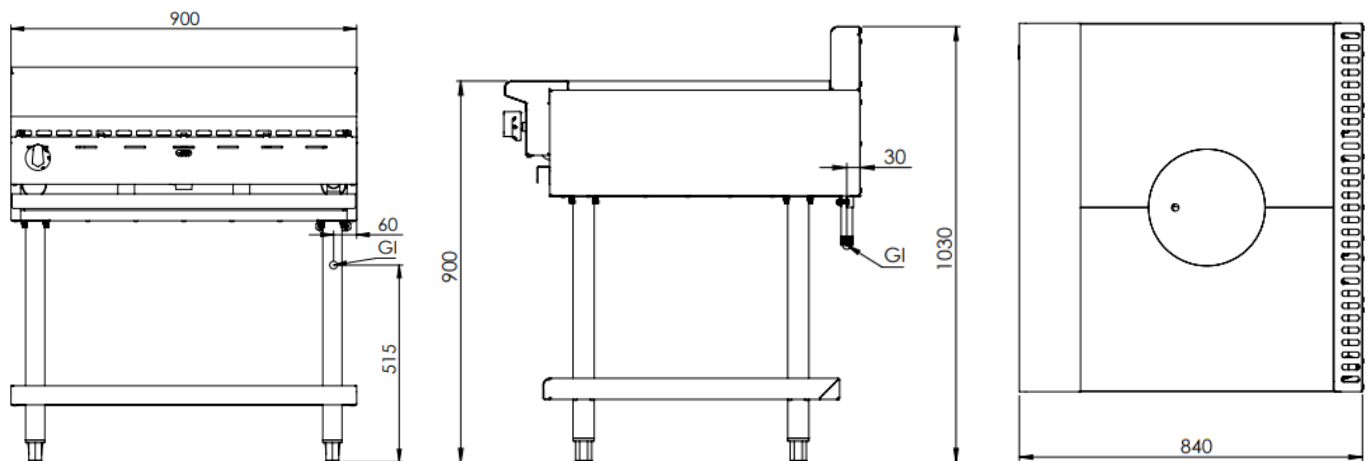
### Standard Features:

- AISI Grade Stainless Steel
- Heavy duty complete stainless steel frame with undershelf
- 42MJ dual ring cast iron burner
- Three piece heavy duty machined cast iron top with removable center ring
- Internal lining consisting of thermal insulating refractory bricks that offers low heat conductivity and integral spill protection
- Surface cooking area - 900mm W x 620mm D
- Flame Failure - Included as standard
- Manual ignition to pilot dual ring cast iron burner
- Center ring removal tool is provided
- Multi-setting gas valve – Allows greater regulation of flame setting
- Easy access to all components for servicing and adjustments
- Easy to clean fat spillage tray

### Options:

- Natural or LPG Gas
- Non-swivel rear castors – Set of two

### Specifications:



MODEL	LENGTH (mm)	DEPTH (mm)	HEIGHT (mm)	NET WEIGHT (kg)	GAS CONSUMPTION (Mj/h)	
					NG	LPG
TT-9	900	840	1030	-	42	42

### Connections:

GAS (GI) (BSP)	SUPPLY PRESSURE (kPa)	
	NG	LPG
3/4" (M)	1.0	2.6

- Gas regulator is included with the unit
- **Must** be installed by an authorised installer in accordance to **AS/NZS5601 refer to current version**

**Due to ongoing Product Development, Product Improvement and Research, B+S Commercial Kitchens reserves the right to alter specification without notice.**

**Approval Number: GMK 10686**



B+S Commercial Kitchens  
57 Plateau Road Reservoir VIC 3073 Australia | +61 3 9469 4754  
info@bscommercialkitchens.com | www.bscommercialkitchens.com

